

# GOAL

## SINGLE CYLINDER

GK715 0 - GK716 0 - GK615 0 - GK616 0 - GK516 0



# SINGLE CYLINDER

GK715 0 - GK716 0 - GK615 0 - GK616 0 - GK516 0



**KNITTING HEAD**  
designed to knit high quality items and ensure constant reliability over time

**SINKERS CAP**  
high speed for higher production

**NEW ELECTRONICS**  
with high resolution touch screen display

**NEW BASE**  
designed to increase solidity and rigidity, allows a more ergonomic assembling of components



All images in this brochure are indicative and not binding.

## SINGLE CYLINDER

GK715 0 - GK716 0 - GK615 0 - GK616 0 - GK516 0

1 feed machines are the best sellers of the Goal Line as, thanks to their versatility, they can produce several different items, from the very simple to the most complex, without compromising on quality and efficiency. Available in two versions, with five or six colors on course and in different diameters and numbers of needles. Latest generation electronics provides control and execution of all machine commands. Drawings and articles are created and managed by Digraph 3 Plus software package, which contains a full collection of styles the operator can combine in different ways to obtain the desired results.

- 5 or 6 colors pattern on course according to the model, plain knit
- Reciprocated heel and toe in different sizes and 3D effects
- 20 or 28 yarn fingers, according to the model
- Rising dial and finger plate with stepping motor (on GK516 0 GK616 0 GK716 0 only)
- Electronic actuators for needle selection, 8 or 9 according to the model
- Brushless coaxial main motor

### MACHINE DIMENSIONS



Length max 94.5 cm  
Depth max 103.3 cm  
Height max 180 cm

### MACHINE WEIGHT



ca. 230 Kg

# SINGLE CYLINDER

GK715 0 - GK716 0 - GK615 0 - GK616 0 - GK516 0

## TECHNICAL DATA

MODEL	CYLINDER DIAMETER	GAUGE	NEEDLE THICKNESS
GK715 0	3"1/2	6 1/2 to 20	0.85 - 0.70 - 0.60 mm
GK716 0	3"1/2	6 1/2 to 20	0.85 - 0.70 - 0.60 mm
GK615 0	3"3/4	from 7 to 20	0.85 - 0.70 - 0.60 mm
GK616 0	3"3/4	from 7 to 20	0.85 - 0.70 - 0.60 mm
GK516 0	4"	from 6 1/2 to 19	0.85 - 0.70 - 0.60 mm

Above data are indicative and not binding.

## STANDARD DEVICES

- Stepper motor electric dial with adjustable height (GK516 0 GK616 0 GK716 0 only)
- Stitch cam feed: 1 with 2 different heights.
- High speed sinkers cap
- High resolution touch screen display
- Yarn sliding sensors guard cleaning device
- Heel yarn recover device with four positions
- 9 yarn fingers on stitch feed
- Yarn creel
- USB port
- 10 or 18 color yarnfingers, according to model
- Circular yarn cutter with mechanical stop
- 1 yarnfinger on laid-in elastic feed
- Stepper motor controlled adjustable suction valve

## MAIN OPTIONAL DEVICES

- LGL Eco Power or Eco Compact yarn storage feeder
- Dinema YoYo positive yarn feeders
- Elastic yarn positive feeders, for compression socks
- Dinema Plus elastane positive feeders
- Stitch cams on first feed with 3 different heights
- Motorized stitch cams
- Motorized sinkers cap for sinkers pressure
- Motorized sinkers cap for sinkers pressure and angular position
- Antitwist device
- Footlet device
- Elastane extra tweezers device
- Yarn recover device, 6 positions
- Yarn trimming circular cutter with adjustable speed
- 3 yarnfingers color group (on GK615 0 GK715 0 only)
- Preparation for storage feeder "Unifeeder 2" by BTRS
- Ethernet board for connection to Dinema Nautilus data collector system
- Second elastic yarnfinger
- Yarn sliding control sensors, Dinema ISPY
- Pneumatic yarn tensioner for covered elastane
- Suction fan

## POSSIBLE KNITTING

The standard machine can perform the following knittings

- 5 or 6 colors pattern, according to model, plus ground color, mesh, tuck and float stitch
- With laid-in elastic: 5 or 6 colors pattern, according to model, plus ground color, tuck and float stitch
- With laid-in elastic: 4 or 5 colors pattern, according to model, plus ground color, mesh, tuck and float stitch

# SINGLE CYLINDER

GK715 0 - GK716 0 - GK615 0 - GK616 0 - GK516 0



## NUMBER OF COLORS

Number of colors	GK715 0 - GK615 0 5 on course plus ground GK716 0 - GK616 0 - GK516 0 6 on course plus ground
------------------	--

## PERFORMANCES

		3" 1/2 3" 3/4 4" CYLINDERS
KNITTING FEATURES		Patterns or selections 300 rpm
		Plain knit without pattern 350 rpm
MAXIMUM SPEED		350 rpm

DISCLAIMER: maximum speed may vary depending on yarn, knitting, lubrication etc

## GAUGE

		GAUGE																											
Model	ø	6½	7	7½	8	8½	9	9½	10	10½	11	11½	12	12½	13	13½	14	14½	15	15½	16	16½	17	17½	18	18½	19	20	
GK615 0	3"3/4	84	88	96		108	112	116	120	128	132		144		156	160	168		176	180	188	192	200			216	220		240
		Needle thickness 0.85 mm										Needle thickness 0.70 mm										Needle thickness 0.60 mm							
		72		84	88	96	100		108	112	120	128	132		144		156		168			180		192	200				
GK715 0	3"1/2	Needle thickness 0.85 mm										Needle thickness 0.70 mm										Needle thickness 0.60 mm							

		GAUGE																															
Model	ø	6½	7	7½	8	8½	9	9½	10	10½	11	11½	12	12½	13	13½	14	14½	15	15½	16	16½	17	17½	18	18½	19	20					
GK516 0	4"	84	88	96		108	112	116	120	128	132	136	144		156	160	168	176	180	188	192	200		216	220			240					
		Needle thickness 1.00 mm										Needle thickness 0.85 mm										Needle thickness 0.70 mm						Needle thickness 0.60 mm					
		72		84	88	96	100		108	112	116	120	128	132		144		156		168			180		192	200				220			
GK616 0	3"3/4	84	88	96		108	112	116	120	128	132		144		156	160	168		176	180	188	192	200			216	220		240				
		Spessore ago 0.85 mm										Needle thickness 0.70 mm										Needle thickness 0.60 mm											
		72		84	88	96	100		108	112	116	120	128	132		144		156		168			180		192	200				220			
GK716 0	3"1/2	Needle thickness 0.85 mm										Needle thickness 0.70 mm										Needle thickness 0.60 mm											

Above data are indicative and not binding.

### DISCLAIMER:

All features in the brochure are for information only and subject to change without any prior notice.

For a complete list of available options, please contact Lonati sales network.

The Company accepts no liability for improper use of machinery.

Lonati is recommending needles from  
**GROZ-BECKERT®**

# SINGLE CYLINDER

GK715 0 - GK716 0 - GK615 0 - GK616 0 - GK516 0

## NOISE LEVEL (Maximum noise output for GK series models)

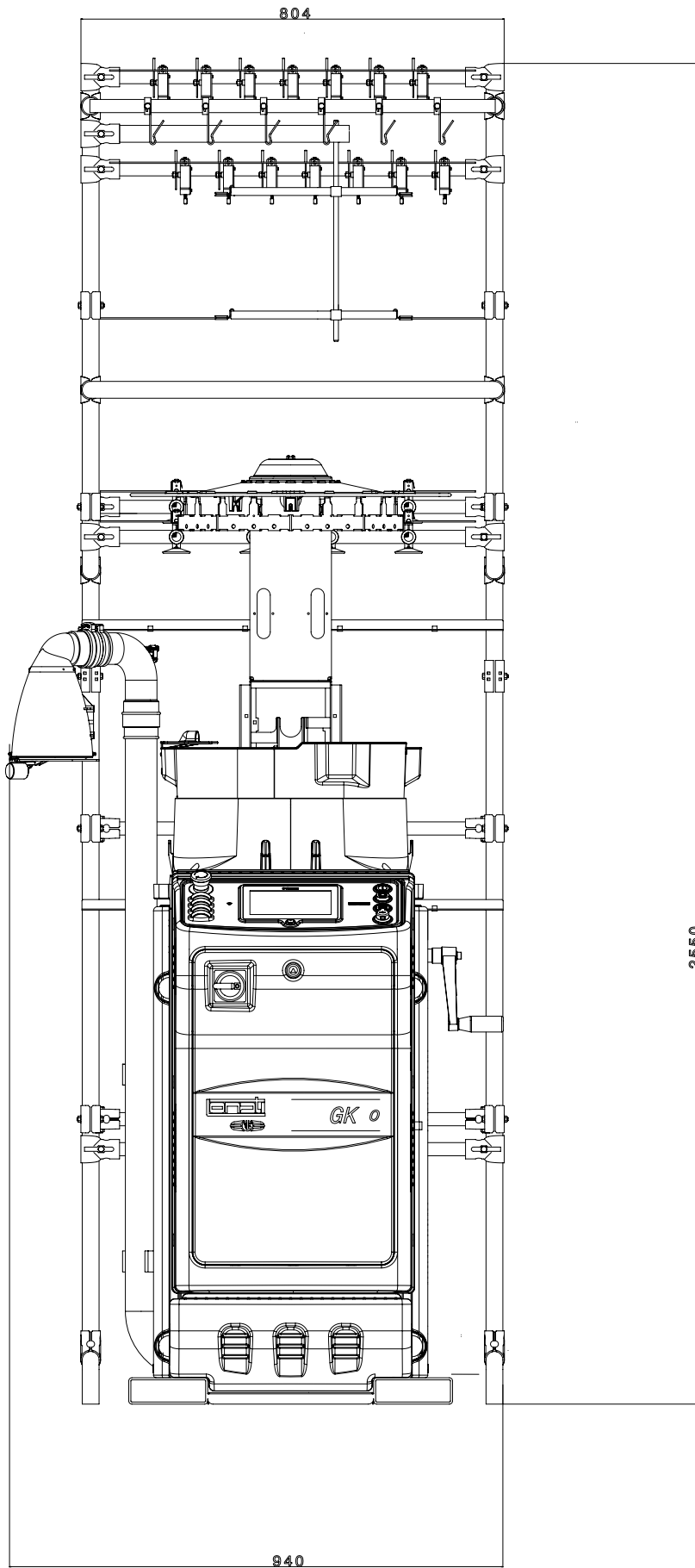
Noise pressure level on reference surface = LPA 79,5 dB - Noise power level = LWA 96,6 dB - Peak= 109,3 dB

## LUBRICANTS

Average consumption for 100 dozens= 270 gr. Lonati recommends: Kluber Madol 183 Supreme - Fuchs Trax 16C

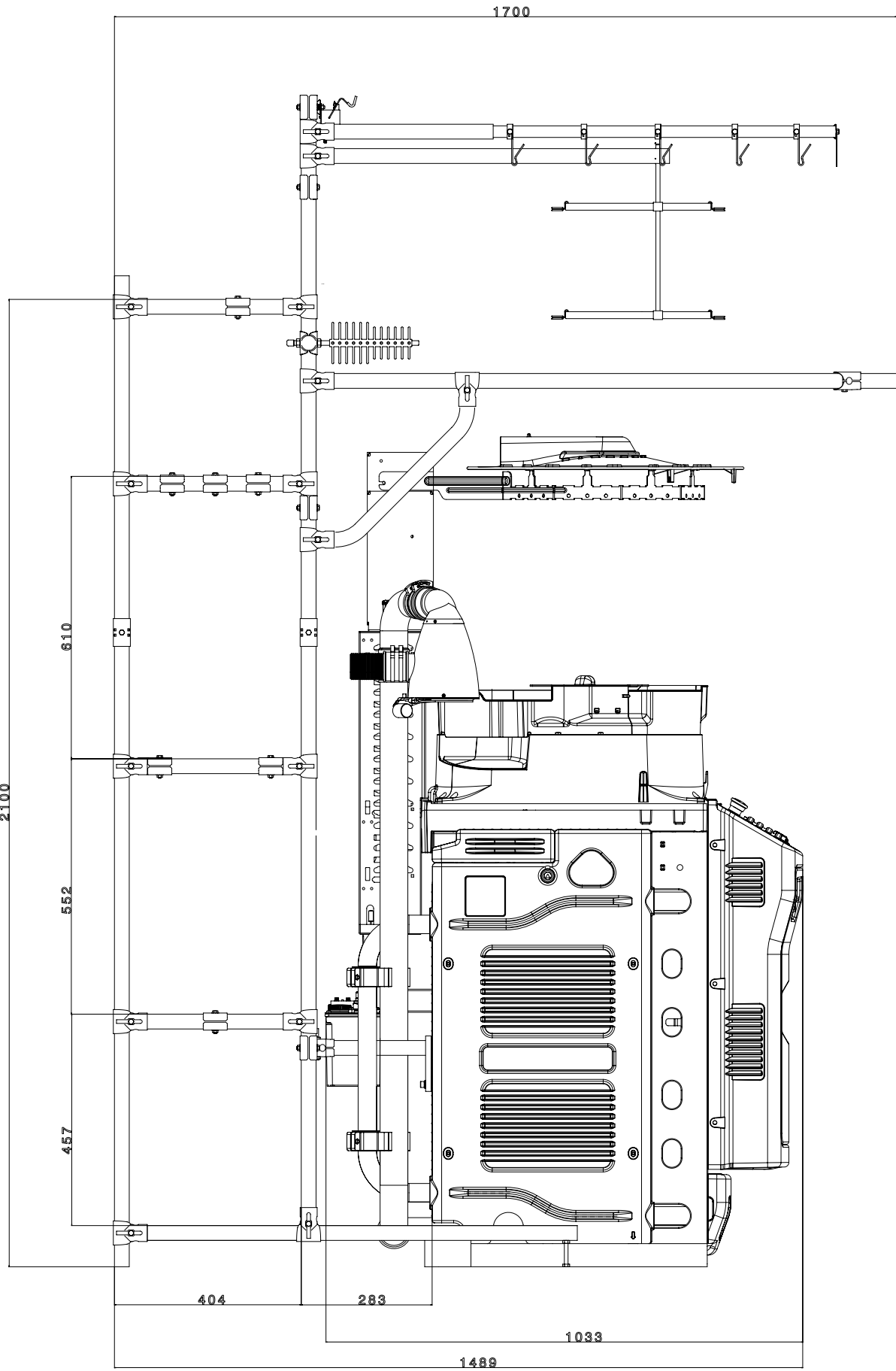
## GREASE

For seals, bearings etc: Lonati recommends: TechnolubeSeals Damping grease Nyogel 774F-1

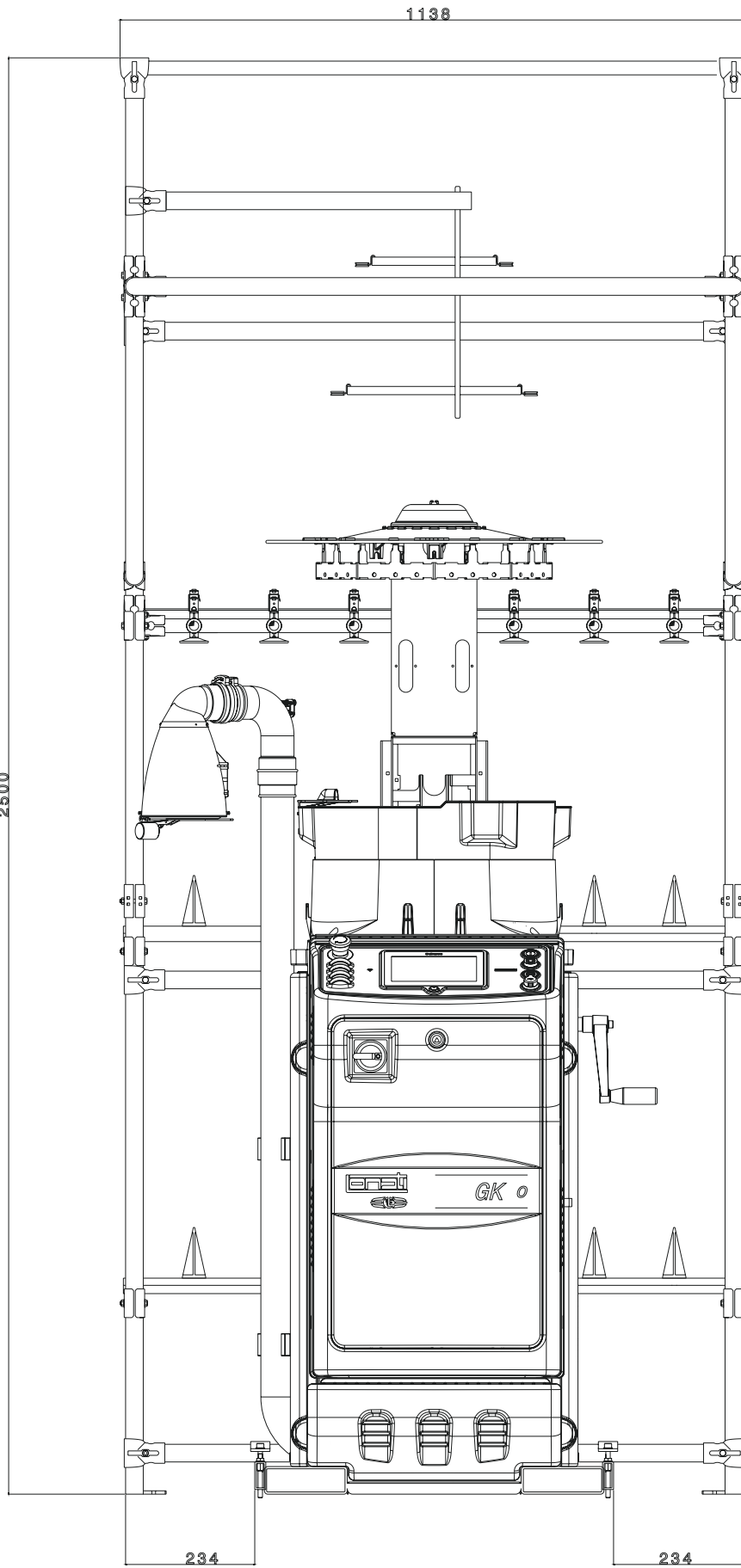


DESCRIPTION	CODE	NR. OF REELS	WEIGHT KG.	NOTES
Yarn creel	G1930040	28	20	Standard version
Yarn creel	G1930041	28	20	Version with BTR sensors

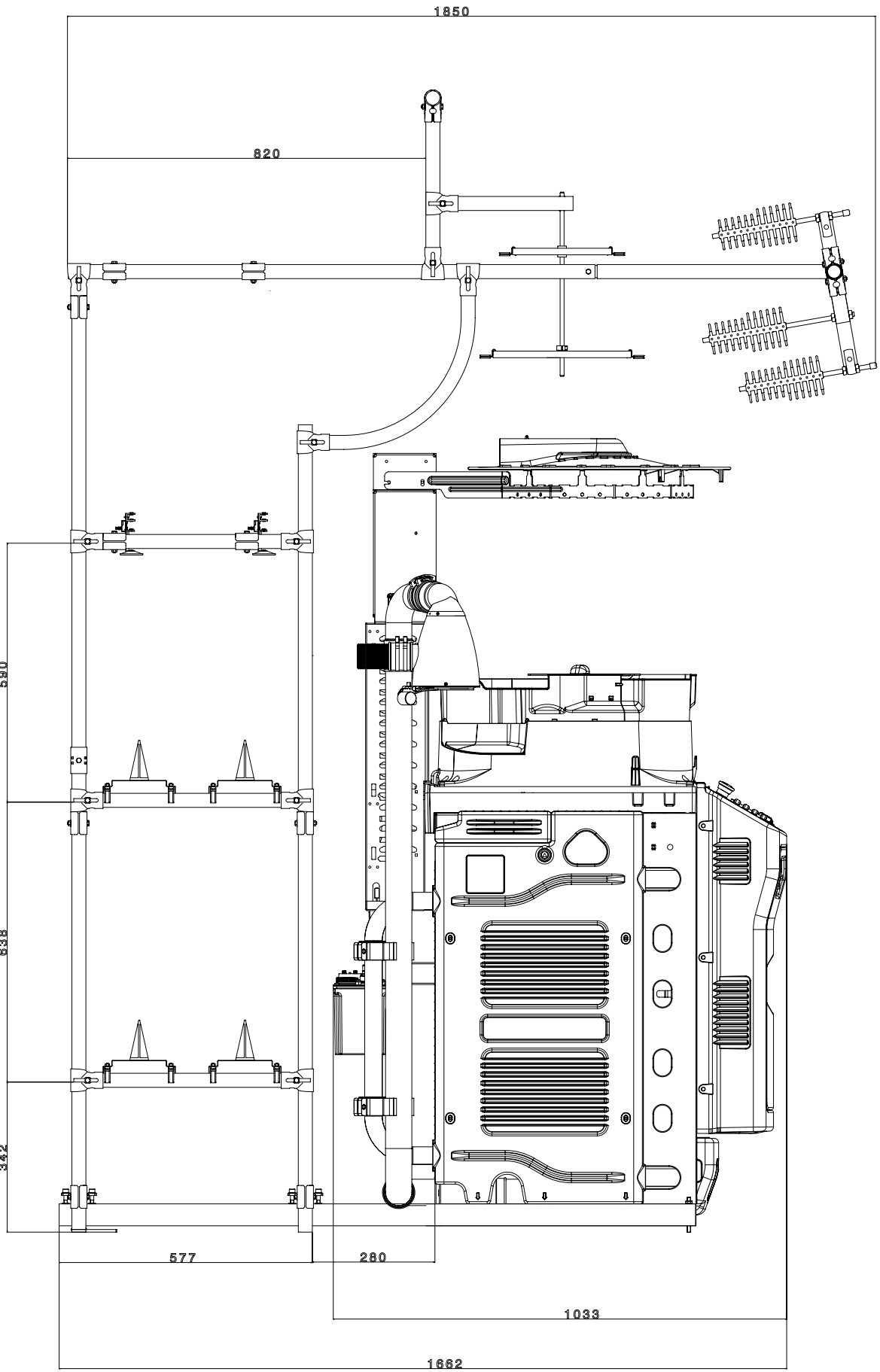




DESCRIPTION	CODE	NR. OF REELS	WEIGHT KG.	NOTES
Yarn creel	G1930040	28	20	Standard version
Yarn creel	G1930041	28	20	Version with BTSR sensors



DESCRIPTION	CODE	NR. OF REELS	WEIGHT KG.	NOTES
Yarn creel	G3930061	28	51	Standard version
Yarn creel	G3930062	28	51	Version with BTR sensors



DESCRIPTION	CODE	NR. OF REELS	WEIGHT KG.	NOTES
Yarn creel	G3930061	28	51	Standard version
Yarn creel	G3930062	28	51	Version with BTSR sensors







LONATI SPA

Via Francesco Lonati, 3 | 25124 Brescia (Italy)

Tel. +39 03023901 | Fax +39 030 2310024

C.F.: 01469680175 | P.iva: 02096730961

info@lonati.com - www.lonati.com